

USB

MP3

WAV

HiFi

Digital

KAKADU


doorbell • türklingel • dzwonek

premium
classic
music



OPERATION AND INSTALLATION MANUAL

IMPORTANT INFORMATION


 **The doorbell is a sensitive electronic product and the following precautions should always be taken:**

The doorbell unit should only be used in a dry area.

Do not expose the doorbell unit to direct sunlight or damp.

If the doorbell unit is out of use for a longer period of time, remove the batteries and keep them out of the reach of children.

Do not drop the doorbell unit and do not expose them to any kind of excessive impact.

 **Electrical connection should be performed by a qualified person.**

 **Do not try to repair the doorbell yourself. The unit contains no part that you can service yourself.**

DISPOSAL & RECYCLING

 **Batteries and waste electrical product should not be disposed of with household waste.**

Please recycle where these facilities exist. Check with your local authority or retailer for recycling advice.



DECLARATION OF CONFORMITY

Sealcom hereby declares that this product is in compliance with the essential requirements of the Electromagnetic Compatibility Directive (EMC) 89/336/EEC in accordance with EN-55014-1:2017-06 standard requirements.

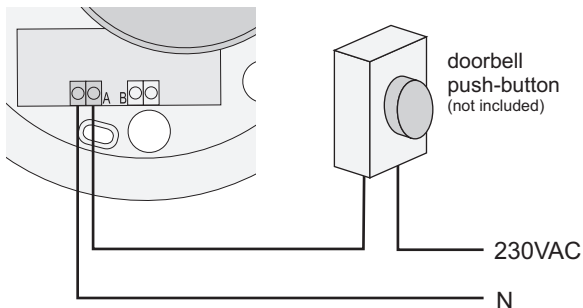


INSTALLATION

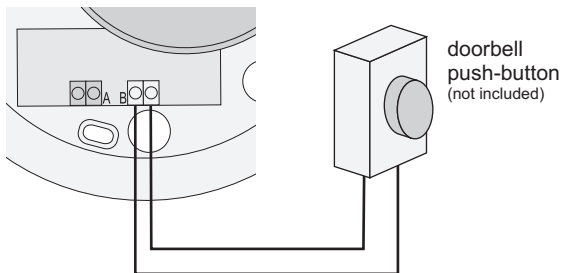
CAUTION !

1. Irrespective of the type of doorbell wiring, the connection of the 9V battery is always required.
2. Connection of any voltage to the blue connector (B) results in irreversible damage of the doorbell.

230VAC wiring (red connector - A)



voltage-free wiring (blue connector - B)



OPERATION

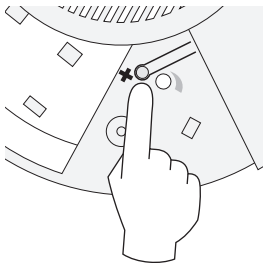
selection of sound

one sound only

press the + button until you hear your favorite sound

various sounds

press the + button until you hear "beep-beep-beep"



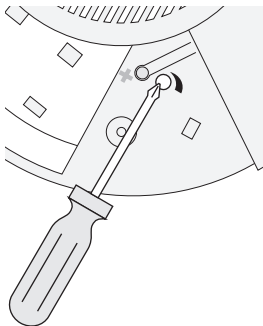
volume control

turn up ↻

turning up the volume results in shorter battery life

turn down ↻

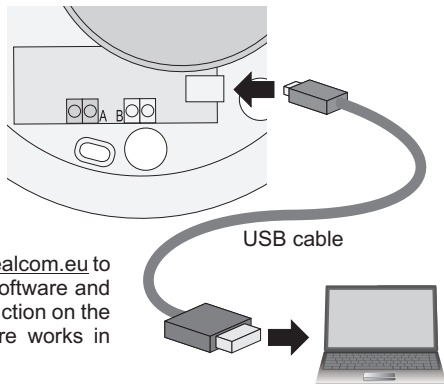
maximum turning down the volume results in complete silence



replacement of battery

Replace the battery if the loudness or sound quality goes down. Use the alkaline batteries for best results.

Your own sounds



Please go to www.sealcom.eu to download the free software and next follow the instruction on the screen. The software works in Windows only.

TECHNICAL DATA

power supply

- 9V 6F22 battery (alkaline batteries recommended)

standby power consumption

- 0 mA

power consumption (max.)

- 350 mA

doorbell wiring

- 230VAC (red connector) or voltage-free (blue connector)

weight (without battery)

- 9.5 oz (270 g)

dimensions (diameter / height)

- 6.58 / 2.13 in (167 / 54 mm)

size of memory / sound duration

- 2 MB / 100 seconds

type of USB connector

- USB B mini 5P

WARRANTY

Sealcom guarantees this product for two years from the date of purchase. This warranty is conditioned upon proper use of the product. Proof of purchase is required.

Please contact us by e-mail sealcom@sealcom.eu before returning the product for repair or replacement.

